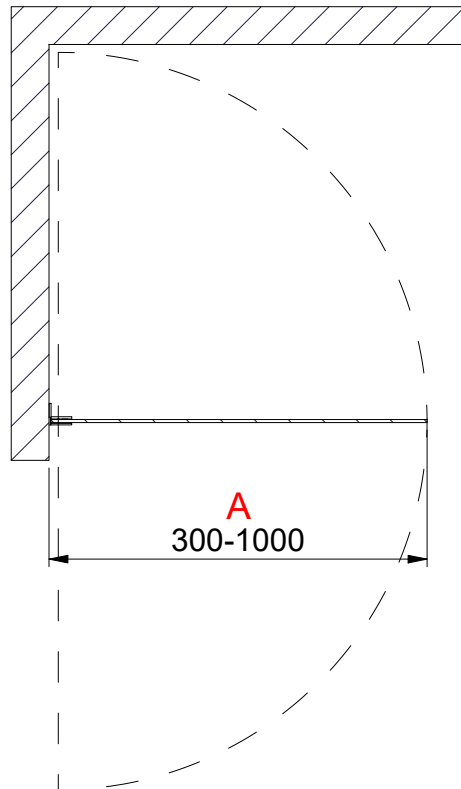


A-A (1 : 20)



Description
ARC 19 Original Left

Designed by
ROGE
Date
2021-05-20

Drawing no
29103.01
Revision
D